



Zoning

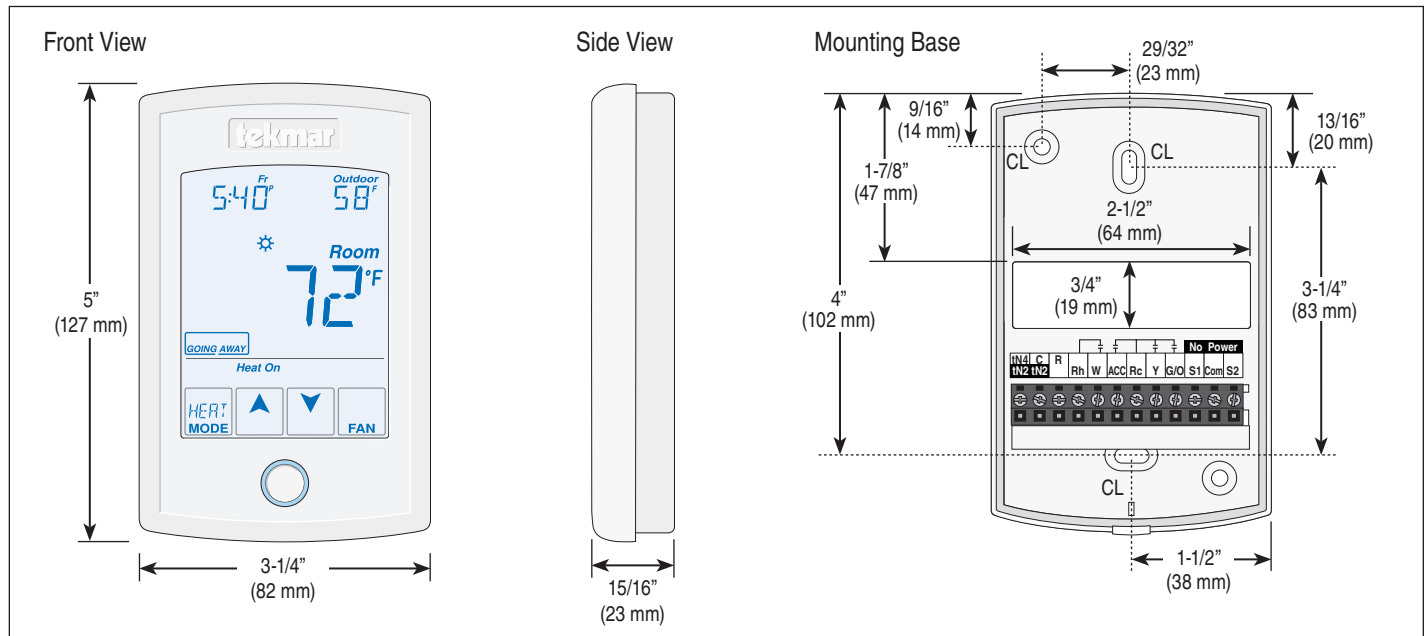
553_C

04/13

Replaces: New

Job _____ Designer _____ Contact _____

The tekmarNet® Thermostat 553 is a communicating touchscreen thermostat designed to operate two heating stages, one cooling stage, a fan and relative humidity. The heating stages can be hydronic, forced air or a single stage heat pump. The cooling stage is either an air conditioner or heat pump. There are two auxiliary sensor inputs available to measure room, floor, outdoor, coil or duct temperature. The optional floor sensor allows precise heating of radiant floors by controlling the floor temperature and maintaining the desired room air temperature. Relative humidity level can be measured and controlled using the built-in humidity sensor. The large touchscreen allows you to easily adjust 7-day programmable schedules and room temperature to optimize comfort and energy savings. The 553 can connect to tekmarNet® controls using two or four wires or it can operate as a stand-alone device.



Specifications

tekmarNet® Thermostat 553 Two Stage Heat, One Stage Cool, Fan	
Literature	553_A, 553_C, 553_D, 553_Q, 553_U
Control	Microprocessor control. This is not a safety (limit) control
Packaged weight	0.8 lb. (350 g)
Dimensions	5" H x 3-1/4" W x 15/16" D (127 x 82 x 23 mm)
Enclosure	White PVC plastic, NEMA type 1
Approvals	Meets Class B: ICES & FCC Part 15
Ambient conditions	Indoor use only, 32 to 122°F (0 to 50°C), RH ≤90% non-condensing
Environmental	Compatible with chlorinated swimming pool environments. Do not use in presence of ammonia (animal barns), methanol, ethanol, acetone.
Power supply	24 V ±10%, 60 Hz, 1.8 VA standby, NEC / CEC Class 2
Relays	24 V (ac) 2 A
Humidity sensor	0 to 90% ± 3% RH
Temperature sensor	NTC thermistor, 10 kΩ @ 77°F (25°C ±0.2°C) β=3892
-Included	None
-Optional	tekmar type # 070, 071, 072, 073, 076, 077, 079, 082, 083, 084
Warranty	Limited 3 Year (See 553_D for full warranty)

Energy Saving Features

- Programmable Schedule
- Zone Synchronization
- Zone Post Purge
- Warm Weather Shut Down
- Cooling Interlock
- Auto Heating Cycle
- Temporary Hold
- Away Scene Key

Additional Features

- 2 Auxiliary Sensor Inputs
- tekmarNet® Communication Compatible
- Touchscreen Technology
- Outdoor & Floor Temperature Display
- Backlight
- Radiant Floor Heating & Cooling
- Freeze Protection
- Pump & Valve Exercising
- Heat / Cool Priority
- Air Group Master or Member
- Network Schedule Master or Member
- Optimum Start
- Scenes
- Daylight Savings Time
- Room Temperature Limiting
- Relative Humidity Control

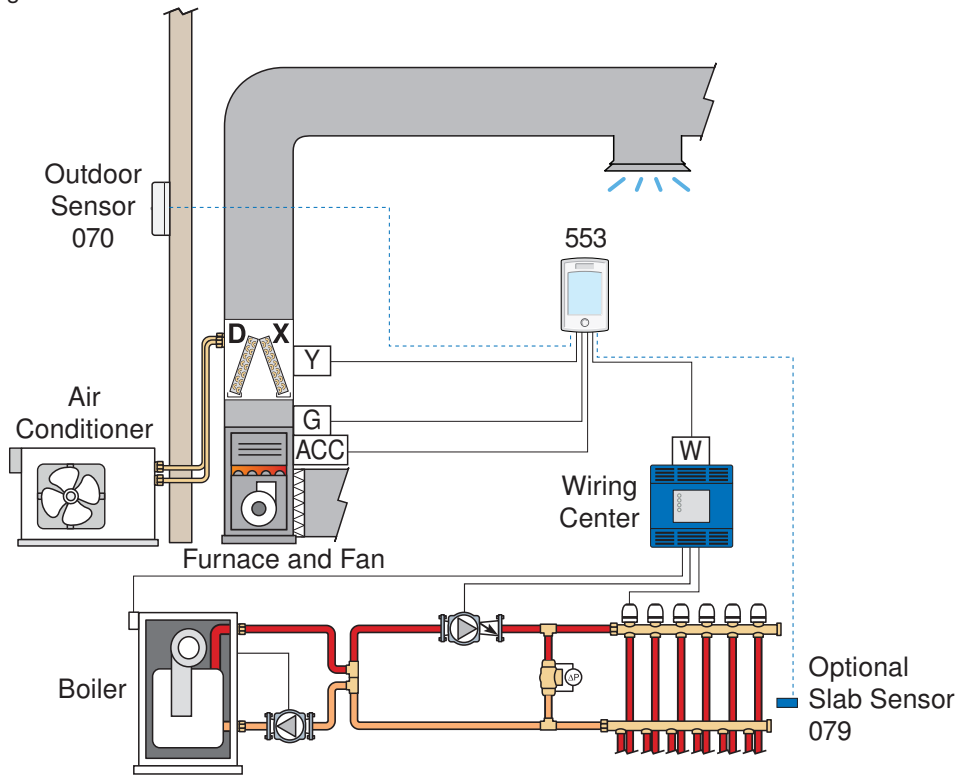
SPECIAL REQUIREMENTS

This thermostat is designed to be used with a tekmarNet® House Control, Wiring Center or Zone Manager for power and communication. It can also be used in stand alone applications.

Sample Application Drawing

Below is a sample application drawing for this product. This application may include other tekmar products that are required for installation. More sample applications can be found at www.tekmarControls.com.

Sample Mechanical diagram



Sample Electrical diagram

