

tekmar® Submittal

Thermostat 518



Zoning

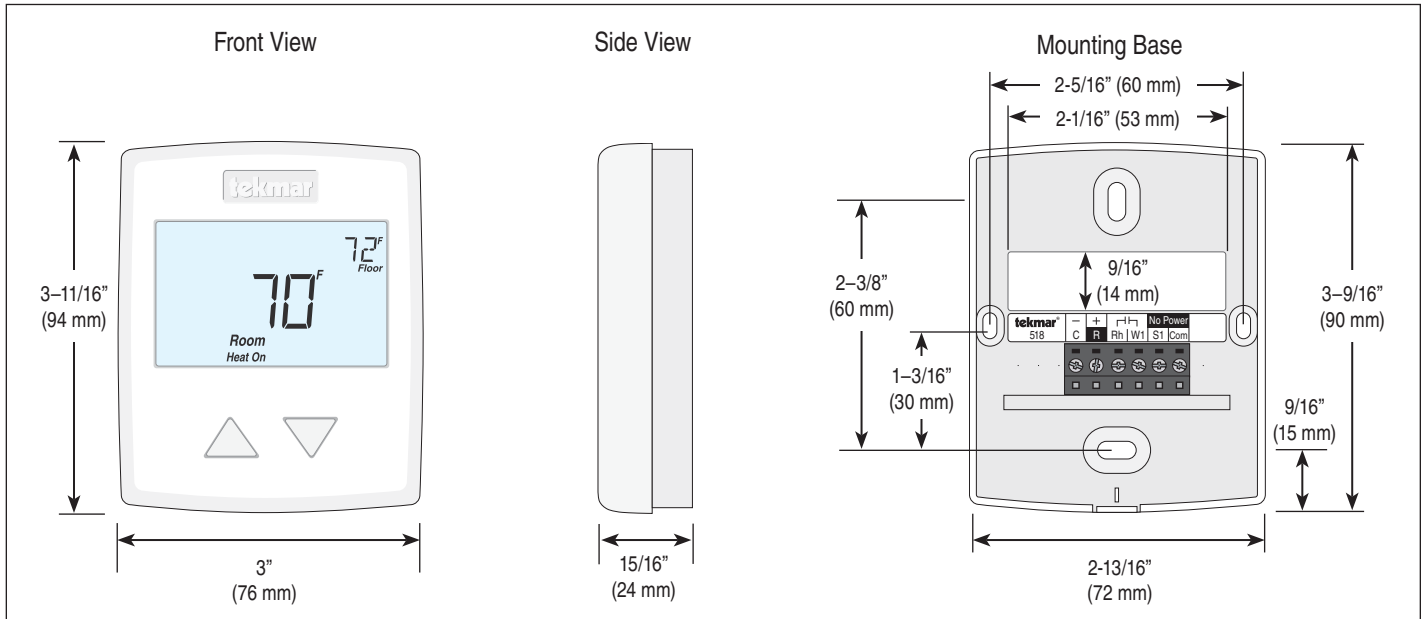
518_C

03/13

Replaces: New

Job _____ Designer _____ Contact _____

The Thermostat 518 accurately controls the room temperature for a hydronic heating zone using Pulse Width Modulation (PWM) technology. Simple up and down buttons and a display with large type make this thermostat easy to read and use. The 518 automatically detects a single auxiliary sensor to measure either outdoor, floor or remote room temperature. This easy to install thermostat is a direct replacement for tekmar Thermostats 507 and 508.



Specifications

Thermostat 518 One Stage Heat	
Literature	518_C, 518_D, 518_Q, 518_U
Control	Microprocessor control. This is not a safety (limit) control
Packaged weight	0.53 lb. (240 g)
Dimensions	3-11/16" H x 3" W x 15/16" D (94 x 76 x 24 mm)
Enclosure	White PVC plastic, NEMA type 1
Approvals	Meets Class B: ICES & FCC Part 15
Ambient conditions	Indoor use only, 32 to 122°F (0 to 50°C), RH ≤90% non-condensing
Power supply	10 to 30 V (ac/dc), 50/60 Hz, 1.8 VA standby, 56 VA max fully loaded, Class 2
Relay	30V (ac/dc) 2 A, Class 2 circuits
Sensor	NTC thermistor, 10 kΩ @ 77°F (25°C ±0.2°C) β=3892
-Included	None
-Optional	tekmar type # 070, 072, 073, 076, 077, 079, 084
Warranty	Limited 3 Year (See 518_D for full warranty)

Energy Saving Features

- Auto Heating Cycle

Additional Features

- Radiant Floor Heating
- Pulse Width Modulation
- Auxiliary Sensor Input
- Outdoor & Floor Temperature Display
- Backlight
- Freeze Protection

SPECIAL REQUIREMENTS

An auxiliary sensor must be used to measure any auxiliary sensor temperatures.

Scan code for quick link to product page on tekmarControls.com



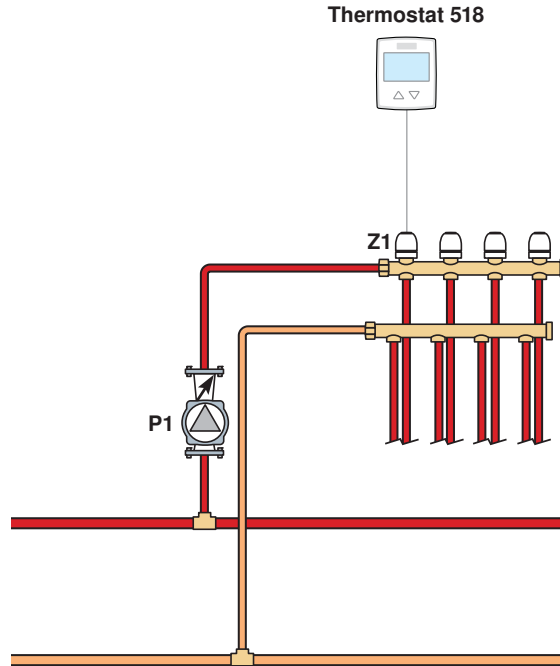
Sample Application Drawing

Below is a sample application drawing for this product. This application may include other tekmar products that are required for installation. More sample applications can be found at www.tekmarControls.com.

Sample Mechanical diagram

Legend

- P1 = Manifold Pump
- S1 = Optional Slab Sensor 079
- T1 = 24 V (ac) Transformer 009
- Z1 = Zone Valve



Sample Electrical diagram

