

tekmar® Submittal

24 V (ac) Transformer 013



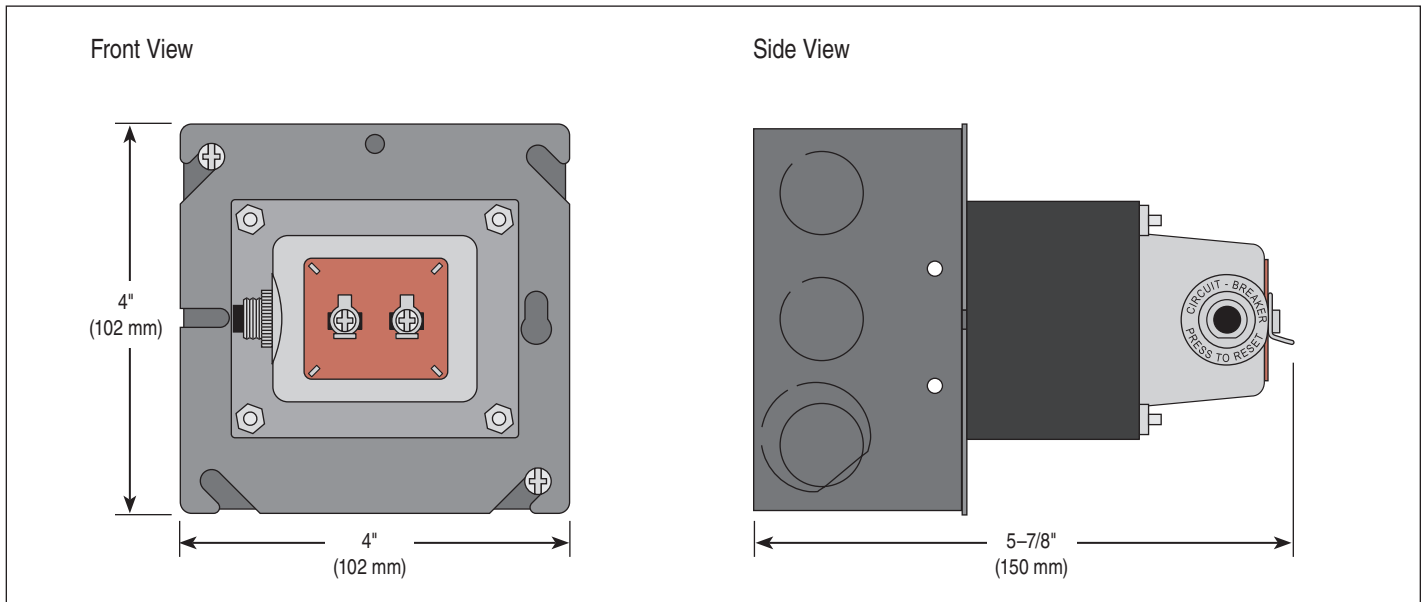
Accessories

013_C
07/14

Replaces: New

Job _____ Designer _____ Contact _____

The 24 V (ac) Transformer 013 has a 115 V (ac) primary and a 24 V (ac) secondary with a capacity of 96 VA. A resettable circuit breaker protects the transformer from overloading. A 4" x 4" electrical junction box is included for mounting.



Specifications

24 V (ac) Transformer 013 96 VA, includes Mounting Box	
Literature	013_C, 013_D
Packaged weight	5.0 lb (2300 g)
Dimensions	4" L x 4" W x 5-7/8" H (102 x 102 x 150 mm)
Approvals	Transformer UL C US, Electrical Box UL and CSA
Ambient conditions	Indoor use only, 32 to 122°F (0 to 50°C)
Input power supply	115 V (ac) ± 10%, 60 Hz
Output power available	22 to 30 V (ac), 60 Hz, 96 VA, Class 2
Circuit breaker	4 A
Warranty	Limited 3 Year (See 013_D for full warranty)

Additional Features

- 96 VA
- Resettable Circuit Breaker
- NEC/CEC Class 2 Circuits
- Includes 4" x 4" Electrical Box



tekmar Control Systems Ltd., A Watts Water Technologies Company. Head Office: 5100 Silver Star Road, Vernon, B.C. Canada V1B 3K4, 250-545-7749, Fax. 250-545-0650 Web Site: www.tekmarControls.com

