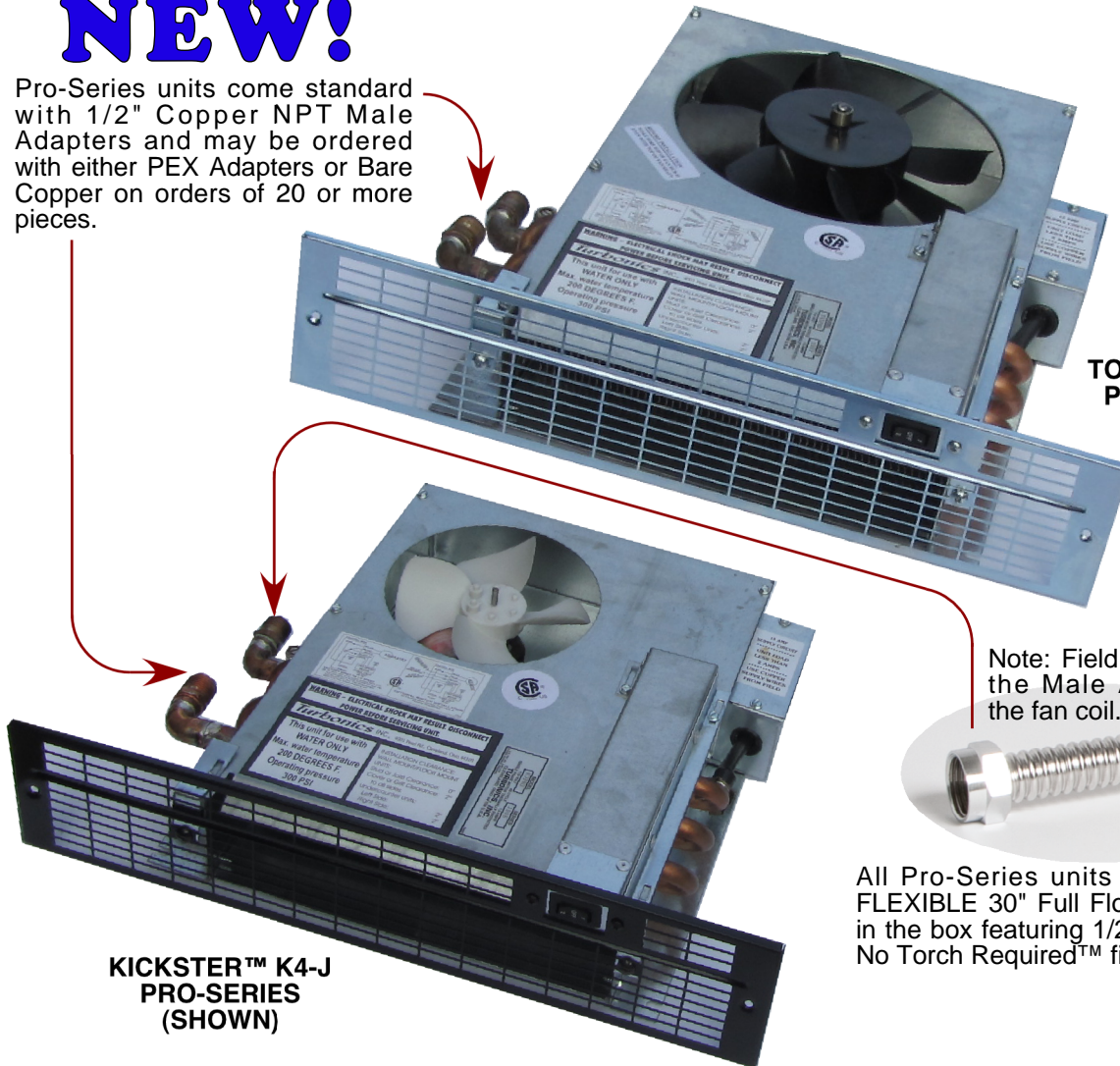


TOESTER™ AND KICKSTER™ PRO-SERIES UNITS NOW INCLUDE INDUSTRIES FIRST NO TORCH REQUIRED™ INSTALLATION KIT

NEW!

Pro-Series units come standard with 1/2" Copper NPT Male Adapters and may be ordered with either PEX Adapters or Bare Copper on orders of 20 or more pieces.



TOESTER™ 4/5
PRO-SERIES
(SHOWN)

KICKSTER™ K4-J
PRO-SERIES
(SHOWN)

NEW!

MODELS:

TOESTER 4/5 PRO

TOESTER 6/8 PRO

KICKSTER 3K-J PRO

KICKSTER 4K-J PRO

Note: Field connects to the Male Adapter on the fan coil.

All Pro-Series units now come with (2) SUPER FLEXIBLE 30" Full Flow Stainless Steel Connectors in the box featuring 1/2" FPT x 1/2" FPT for an Easy No Torch Required™ field installation.

Notable Features & Options:

(2) 30" Full Flow Stainless Steel Connectors in the box for No Torch Required™ installation. Length of Flex Kit may in some cases allow full front access if installed with proper loops.

Toester™ and Kickster™ Pro-Series come with either a Standard Black or Stainless Steel Finish Grille in the box ready for final trim installation in the field.

Toester™ and Kickster™ Pro-Series have easily replaceable aquastats.

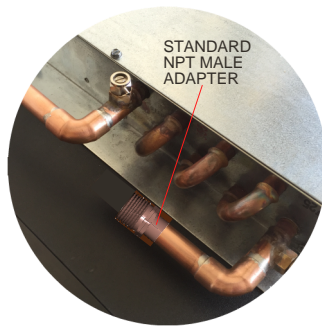
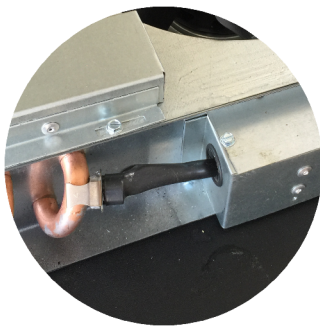
Toester™ and Kickster Pro-Series feature double venting for easier air purging.

Control Box is now on the right hand side and supply return piping runs to the back

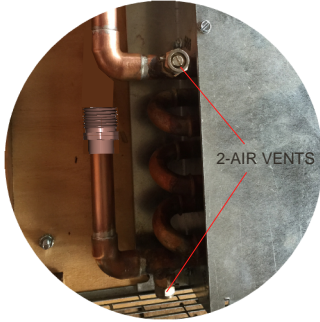
Toester™ and Kickster™ Pro-Series now come standard with built in grille switch's.

Switch enclosure allow field adjustments for the perfect grille depth placement.

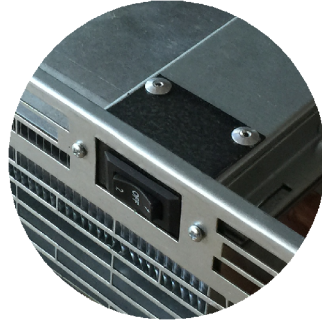
Units use L/ASTM B75 type copper and have been IAPMO tested and passed ANSI/NSF 61 section 4 and are suitable for use with residential potable water



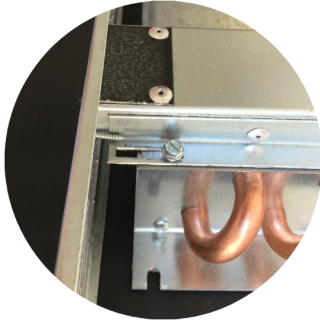
RIGHT SIDE CONTROL BOX WITH EASY CONNECT AQUASTAT. SUPPLY AND RETURN PIPING RUNS TO BACK.



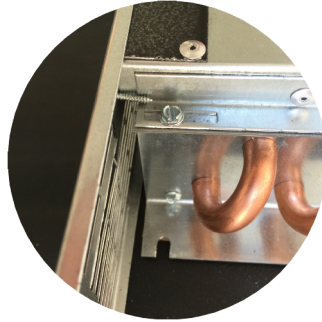
DOUBLE AIR VENT



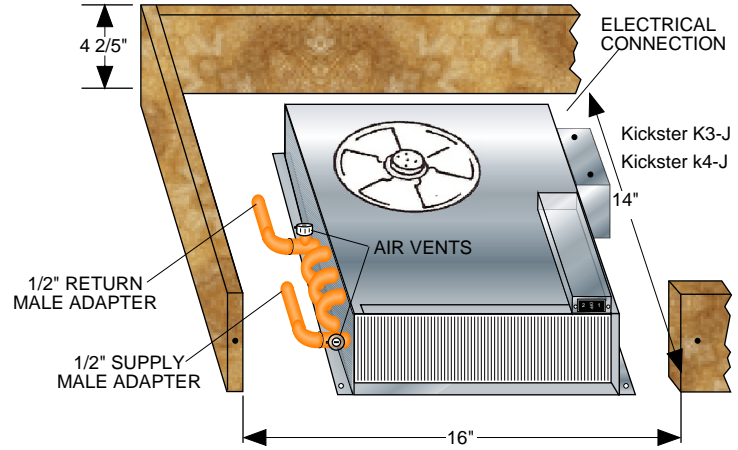
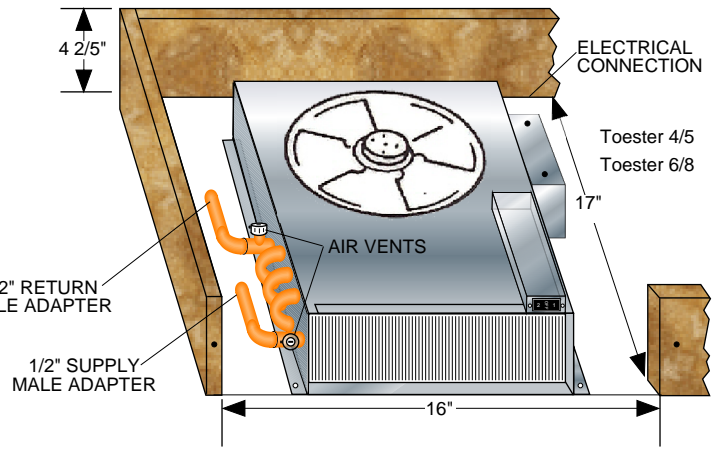
SWITCH ON FRONT OF UNIT



SWITCH ENCLOSURE ALLOWS ADJUSTMENTS OF THE GRILLE DEPTH FOR PERFECT PLACEMENT EVERY TIME.



INSTALLATION DIMENSIONS



NOTE: WHEN ORDERING, STANDARD UNITS COME WITH COPPER MALE ADAPTERS. USE PX FOR PEX ADAPTERS OR BC FOR BARE COPPER PIPE WITH NO FITTINGS OR ADAPTERS (WILL REQUIRE SWEATING)

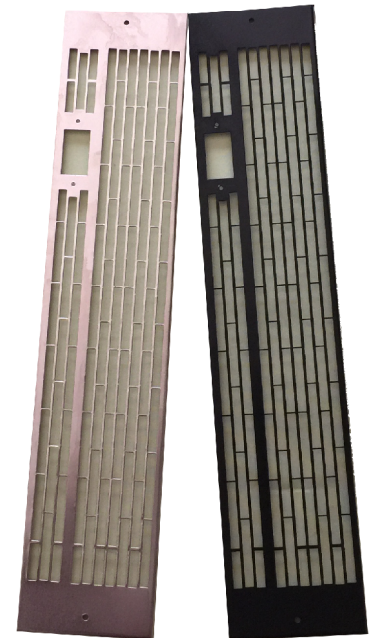
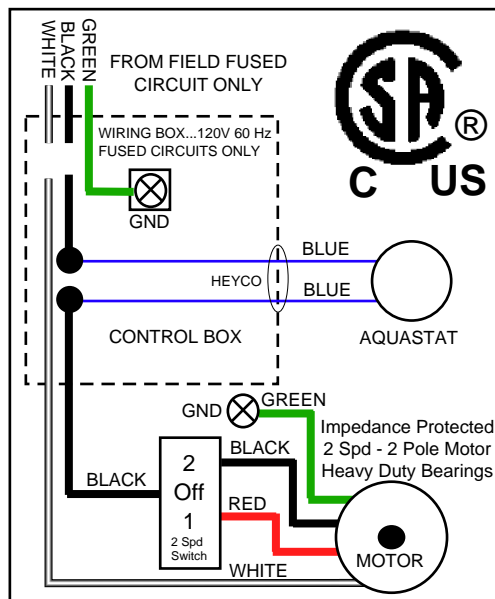
EACH UNIT IS SHIPPED WITH EITHER A BLACK OR STAINLESS STEEL FINISH GRILLE WHEN ORDERING USE SS FOR STAINLESS STEEL OR BLK FOR BLACK

NOMINAL OUTPUT CAPACITY

TOESTER 4/5 RATINGS*					
Fluid Temperature	120°	140°	160°	180°	200°
1 GPM	2850	3705	4560	5415	6175
3 GPM	3135	4075	5016	5950	6793
Pressure Drop (Feet of Head)					
	.33' @ 1 GPM	1.0' @ 2 GPM	3.0' @ 4 GPM		
TOESTER 6/8 RATINGS*					
Fluid Temperature	120°	140°	160°	180°	200°
1 GPM	3610	4892	6270	7315	8645
3 GPM	3971	5382	6897	8046	9509
Pressure Drop (Feet of Head)					
	.5' @ 1 GPM	1.5' @ 2 GPM	4.0' @ 4 GPM		
KICKSTER K3-J RATINGS*					
Fluid Temperature	120°	140°	160°	180°	200°
1 GPM	1710	2185	2850	3420	3990
3 GPM	1881	2403	3135	3762	4389
Pressure Drop (Feet of Head)					
	.33' @ 1 GPM	1.0' @ 2 GPM	4.5' @ 4 GPM		
KICKSTER K4-J RATINGS*					
Fluid Temperature	120°	140°	160°	180°	200°
1 GPM	1995	2660	3615	4275	4940
3 GPM	2194	2926	3866	4702	5434
Pressure Drop (Feet of Head)					
	.33' @ 1 GPM	1.0' @ 2 GPM	4.0' @ 4 GPM		

* Heat Ratings based on 65°F Entering Air. For Low Speed multiply by a .73 Correction Factor for all units which will provide a conservative output.

WIRING SCHEMATIC



5 YEAR LIMITED WARRANTY

Turbonics, Inc. warrants to the original user each new product manufactured by it or sold under its trade names to be free from defects in workmanship and material under normal use and service for a period of five years from date of shipment from the factory warehouse excluding the pump on the Chill Chaser whose warranty is one year. The sole liability of Turbonics, Inc. under this warranty is limited to repairing, or at its option, replacing free of cost, any defective part or parts f.o.b. its factory, provided that (1) the defective part is returned prepaid to Turbonics, Inc. upon its written authorization, and (2) Turbonics, Inc. determines the defective part has not been subjected to misuse, abuse, negligence, accident, or improper installation, operation, service or repair. This warranty does not include any field labor charge involved in removal of the defective part or installation of the repaired or replacement part. During the first year, with prior factory approval, a labor charge of \$15.00 per hour may be applied for on warranty repairs. This warranty is made only to the original user of the product and cannot be transferred or assigned, and it is effective only while the product is in use at the place of original installation. Such warranty shall not apply to any product on which the serial number or date of manufacture has been altered, effaced or removed. This warranty applies only to products installed within the continental boundaries of North America. This warranty constitutes the only warranty, or representation of Turbonics, Inc. and no other warranty, or representation, statutory or otherwise, is expressed or may be implied. In no event will Turbonics, Inc. be responsible for special or consequential damages of any kind whatsoever.