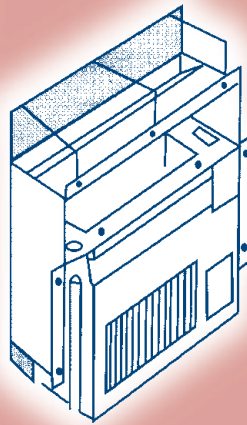


### Installation



## Model KSWK 2010 Recessed Wall Kit

- The KSWK 2010 recessed wall kit accepts the *QUIET-ONE 2000* KS 2010 kickspace heater.
- Whisper quiet efficient operation.
- Attractive grille design.
- Two position speed switch (Max. – Off – Min.) hidden behind access door.
- Water vent easily accessible for venting air.



ENVIRONMENTAL PRODUCTS

**SUBMITTAL DATA INFORMATION**

**Application**

The KSWK 2010 *QUIET-ONE 2000* recessed wall kit continues the tradition of supplying flexible solutions for those hard to heat areas. The KSWK 2010 can mount in any wall of the house or be installed in the end of counter cabinets or bathroom vanities. It can be used in dressing rooms, walk-in closets or in mudrooms and entry ways.

The cover is painted with a high grade primer finish which may be used as is or can be painted, wall papered or marbled.

**Design**

The KSWK 2010 *QUIET-ONE 2000* recessed wall kit has been designed to accept the *QUIET-ONE 2000* model KS 2010 kickspace heater. Kit and Kickspace must be purchased separately.

**Engineering Specifications**

**Construction.** The three piece chassis design and grille are manufactured from high grade zinc coated steel. The grille is 3 1/8" wide and 3 1/2" longer than the required wall opening in order to cover that opening and to allow room to sweat the S&R risers.

**Other.** For all other engineering and construction details please refer to catalog #QO2000-2003 for our *QUIET-ONE 2000* model #KS 2010 kickspace heater.

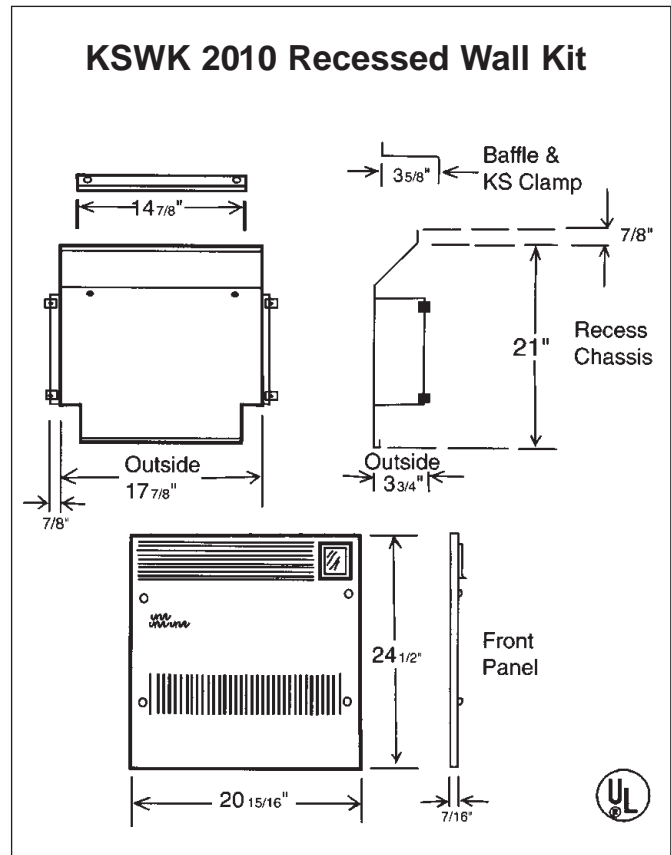
**Installation**

Unlike our KSWK wall kit the KSWK 2010 will not fit within a 16" O.C. stud pocket. Therefore, you must cut a 17 7/8" wide by 21" high hole in the wall and adjust studs with the top, bottom and side cripple studs attached to the main framing.

The other difference relates to the chassis. The KSWK 2010 chassis comes as three pieces which must be assembled in the field while the KSWK version for our other kickspace models is a one piece assembly.

Otherwise, the installation of our new KSWK 2010 is as simple as the installation of the traditional KSWK recessed wall kit.

For details please refer to our brochure as supplied in KSWK 2010 box.



**KSWK 2010 Recessed Wall Kit**  
**BTU/Hr Outputs**

CAPACITY FOR THE QUIET-ONE 2000 KICKSPACE HEATERS										
BTU/HR @ 65°F Entering Air										
Unit	Flow Rate G.P.M.	Pressure Drop (ft.)	Entering Water Temperature (Deg. F.) - BTU/hrs.							
			130°	140°	150°	160°	170°	180°	190°	200°
KS 2010	1	0.41	5530	6350	7150	7975	8780	9465	9975	10330
	3	2.78	5880	6710	7740	8710	9625	10540	11060	11530
	5	3.92	6070	7030	8000	9030	10025	10920	11525	11995

- All capacities are rated upon actual installation outputs.
- For low speed ratings use: .65 for the KS 2010
- Heat throw: KS 2010 = 10 ft. @ 125 CFM.
- When kickspace units are installed in the recessed wall kit, BTUH out puts may be reduced by up to 10%.

