

TECHGRILLE™

Fully Adjustable Ventilation Grille



Features & benefits

- *Cool White*
- *Non-Corrosive*
- *Compression Spring Tab Clips the Grille into 4" 5" 6" or 8" Round Duct*
- *No Screws Required*
- *The Center Adjustment Cone Spins In and Out, allowing for Variable Ventilation Capacity*

engineering Data

How to use the Techgrille:

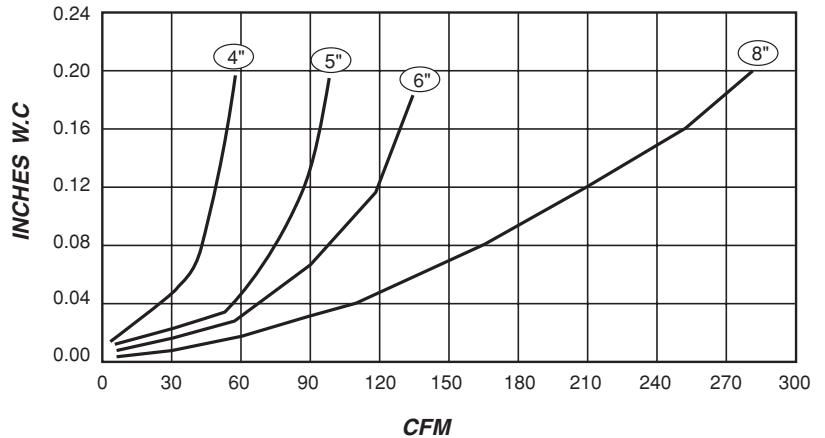
The center adjustment cone allows for variable ventilation capacity.

After installing your Techgrille vents and connecting them to your ductwork from your HRV, begin balancing the ventilation ports by increasing openings on the most distant Techgrille until the flow is equal throughout the building. Usually two rounds of balancing will provide the desired air distribution.

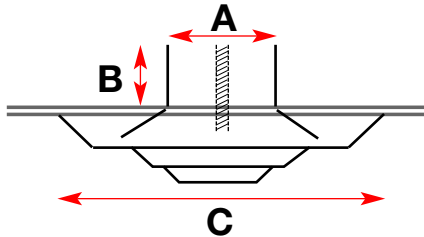
Installation

Compression spring tab clips the Grille into 4", 5", 6", or 8" round duct.

TECHGRILLE FLOW SPECIFICATIONS AND PERFORMANCE GRAPH
100% OPEN



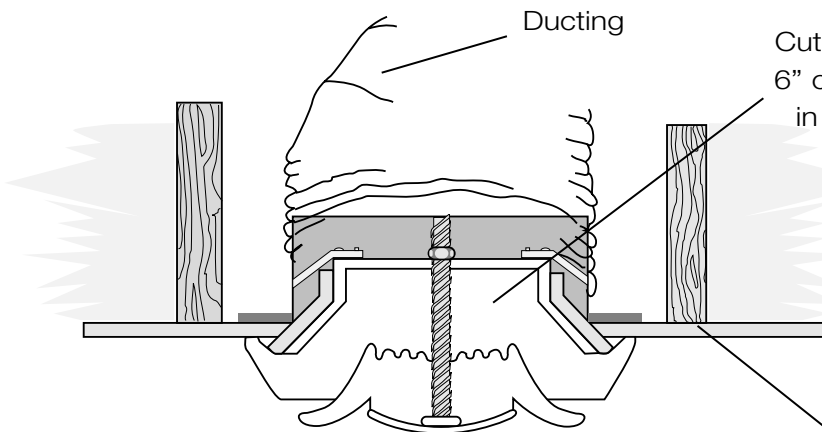
Dimensions



A (Duct size)	4"	5"	6"	8"
B	1"	1 1/4"	1"	2"
C	5 7/8"	6 1/4"	7 1/2"	9 3/4"

Installation

Ceiling Mount



Wall Mount

Cut a 4", 5", 6" or 8" hole in drywall

