

B10
BOILER SYSTEM

The BIASI B10 Series Boiler



*Triple Pass Low Mass Cast Iron Boiler
Flex Fuel Capability - Oil or Gas Compatible
AFUE Efficiencies of 87%
Chimney and Direct Vent Listed
Limited Lifetime Warranty on Cast Iron Boiler*



QHT
INCORPORATED
The New Style of Warmth



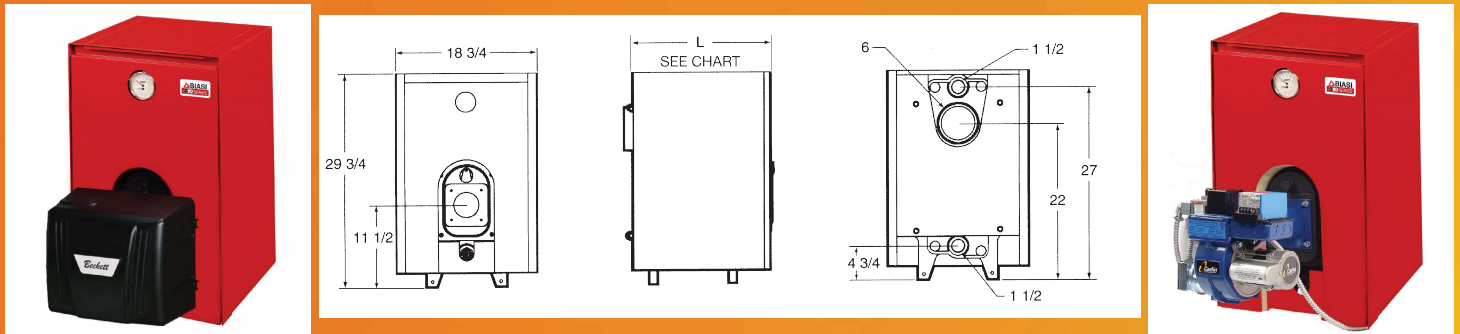
The BIASI B10 SERIES

The BIASI B10 Boiler with its triple pass cast iron design and low water content, supplies heat quickly to the heating zones and hot water tank resulting in lower emissions and reduced fuel. Its ASME, UL, and Energy Star certifications attest to its safety, fuel efficiency, and durability.

Utilizing pressure-fired burners, combined with electronic outdoor reset and low water control, the BIASI B10 will reduce fuel consumption by up to forty percent over conventional single pass, "pin-type" boilers with DHW tankless coils.

The BIASI B10 is easy to install and service since all the piping and safety components are located behind the boiler, permitting easy access to the burner and heat exchanger in the front of the boiler.

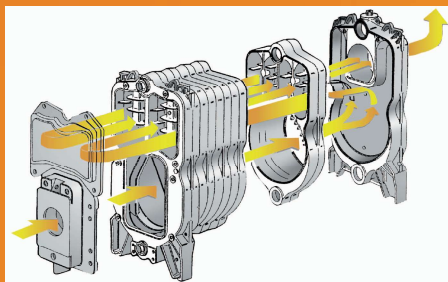
You'll enjoy confidence from the BIASI B10 limited lifetime warranty as well as its capability to be easily converted from oil to gas or vice versa simply by changing the burner.



BIASI B10 SERIES

Boiler Model #	Gross Output MBH	Gross Input Burner Capacity		Net Output Oil (MBH)	Efficiency			Water Content (Gal.)	Length (Inches)	Weight (Lbs.)
		OIL (GPH)	GAS (MBH)		OIL (%)	GAS (%)	DV* (%)			
B10/3	61	0.51	70	53	87	84	85.5	3.5	15.5	249
B10/4	94	0.78	108	82	87	84	85.5	4.7	19.5	308
B10/5	127	1.06	146	110	87	84	85.0	5.7	23.5	367
B10/6	160	1.33	184	139	87	84	85.5	6.7	27.5	427
B10/7	193	1.61	222	168	87	84		7.7	31.5	486
B10/8	226	1.88	260	197	87	84		8.8	35.5	546
B10/9	256	2.13	294	223	87	84		9.9	39.5	606

Net output ratings are based on piping and pick-up allowance of 1.15. *Chimney and Direct Vent Gas Boilers are NOT Energy Star Approved.



A 3-pass design is the most efficient way to get the maximum amount of heat from the fuel. It contains three times as much interior heating surface compared to a single-pass boiler.

Technical Advantages

- Energy Star and UL Listed
- Flex Fuel - Gas or Oil Burner Compatible
- Efficient Triple Pass Boiler Design
 - ASME Rated to 58 PSI
- GG20 Cast-Iron Construction
- Direct Vent Capability (Oil/Gas)
- Limited Lifetime Warranty on Boiler

800-501-7697
www.biasiboilers.us

