



# Submittal Data Information

101-051

## Zone Valve Controls

Effective: December 15, 2006

Supersedes: April 15, 2004

Job: \_\_\_\_\_ Engineer: \_\_\_\_\_ Contractor: \_\_\_\_\_ Rep: \_\_\_\_\_

ITEM NO.	MODEL NO.	

### Features

- External Indicator Lights
- Switchable Priority
- Simplified Wiring
- Works with 2, 3, or 4-Wire Zone Valves
- Compact Design
- Fuse Protected
- 100% Factory Tested
- Two Isolated End Switches
- Extra Set of Dry Contacts
- Contractor Friendly PC Board Layout
- Universal Thermostat Compatibility
- UL and CSA Approved
- Sturdy Screw Connections
- Extended 3 Year Warranty
- Made in the USA

### Additional -EXP Features

- Two Plug-In PowerPort Card Slots
- One Add-On Power Control Plug
- Expandable to 20 Zones
- Interface with -EXP Switching Relays

### The Taco Connection

Combine the reliability of the Taco Zone Valves, Priority Zoning Circulators, Thermostats, and the "00" family of circulators with the advanced features of the Taco Zone Controls to achieve total system integration. No matter the application, Taco now provides the products to maximize system performance while simplifying both installation and service.

### External Diagnostics

It's no longer necessary to remove the box cover to troubleshoot the system. External visible indicator lights show full functionality of all products wired to the zone valve controls. When the thermostat calls for heat, both the appropriate zone valve and yellow indicator lights are energized. When the zone valve is fully opened, the end switch relay and red indicator light is then energized.

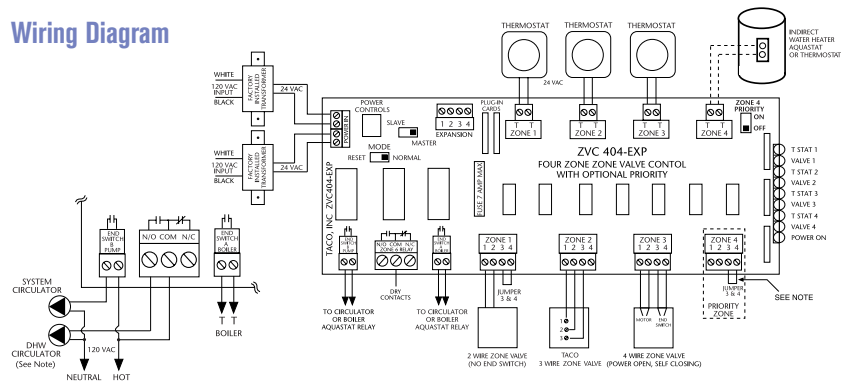
### Zone Valve Controls

Taco Zone Valve Controls work with two-, three-, or four-wire zone valves. Fully fuse protected, they also include two isolated end switches and a built-in priority switch. The contractor friendly PC board layout eliminates the problems caused by incorrect wiring and the "unfinished" look of conventional zone valve installations. The sturdy screw connections add additional reliability, while the external indicator lights provide instant diagnostic feedback, reducing installation time. All Taco Zone Valve Controls are UL and CSA listed and carry an extended 3 year warranty.

### Taco Expandable Zone Valve Controls

Whether you want to expand up to 20 zones or utilize the advanced features of the PowerPort Cards and Add-on Power Controls, Taco -EXP controls allow for simple integration of advanced features. Plug-in any combination of cards and controls to optimize the operation of any system.

### Wiring Diagram



### Zone Valve Controls

Product Number	Number of Zones	Transformer Rating	Transformer Voltage	Dimensions of Enclosure		
				Width	Height	Depth
ZVC403	3 Zone	40 VA	120 VAC Input	10 1/4"	6 3/4"	2 3/4"
ZVC404	4 with Priority	40 VA	120 VAC Input	10 1/4"	6 3/4"	2 3/4"
ZVC405	5 Zone	80 VA	120 VAC Input	11 3/4"	7 1/2"	3"
ZVC406	6 with Priority	80 VA	120 VAC Input	11 3/4"	7 1/2"	3"

### Zone Valve Controls with PowerPort Option

Product Number	Number of Zones	PowerPort Slots	Power Control Plugs	Transformer Rating	Transformer Voltage	Dimensions of Enclosure		
						Width	Height	Depth
ZVC404-EXP	4 with Priority	2	1	80 VA	120 VAC Input	11 3/4"	7 1/2"	3"
ZVC406-EXP	6 with Priority	2	1	80 VA	120 VAC Input	11 3/4"	7 1/2"	3"

All Zone Valve Controls are relay type DPDT and have single phase motor rating per zone of 1/6 hp (5A) @ 120VAC.

### Plug-In PowerPort Cards\*

PC600	Post Purge Timer Plug-In Card	PC700	Boiler Reset Control
PC605	Priority Protection Plug-In Card	PC702	2-Stage Boiler Reset Control
PC610	Universal Timer / Pump Exercise Plug-In Card	PC705	Variable Speed Pump Injection Mixing Control

\* For use with -EXP controls

### Add-On Power Controls\*

## Do it Once. Do it Right.®

TACO INC., 1160 Cranston Street, Cranston, RI 02920 Telephone: (401) 942-8000 Fax: 942-2360  
 TACO (Canada), Ltd., 6180 Ordan Drive, Mississauga, Ontario L5T 2B3 Telephone: (905) 564-9422 Fax: (905) 564-9436

Visit our website at: [www.taco-hvac.com](http://www.taco-hvac.com)

Printed in USA  
 Copyright 2006  
 TACO, Inc.