



Submittal Data Information

101-028

Model 006 Cartridge Circulator

Effective: March 15, 2004

Supersedes: December 1, 2002

Job: _____ Engineer: _____ Contractor: _____ Rep: _____

| ITEM NO. | MODEL NO. | IMP. DIA. | G.P.M. | HEAD/FT. | H.P. | ELEC. CHAR. |
|----------|-----------|-----------|--------|----------|------|-------------|
| | | | | | | |

Features

- Standard High Capacity Output-Compact Design
- Quiet, Efficient Operation
- Direct Drive-Low Power Consumption
- Unique Replaceable Cartridge Design-Field Serviceable
- Self Lubricating
- No Mechanical Seal
- Unmatched Reliability-Maintenance Free
- Cast Iron, Flanged, or Bronze Construction with Sweat, Threaded or Union Connections

Materials of Construction

| | |
|-------------------|---------------------|
| Casing (Volute): | Cast Iron or Bronze |
| Stator Housing: | Steel |
| Cartridge: | Stainless Steel |
| Impeller: | Non-Metallic |
| Shaft: | Ceramic |
| Bearings: | Carbon |
| O-Ring & Gaskets: | EPDM |

Model Nomenclature

- F - Cast Iron Flange
- B - Bronze, Sweat
- BC - Bronze, Sweat, Panel Mount Tappings
- BT - Bronze, Threaded
- BC-I - Bronze, Union, Panel Mount Tappings
- Variations:
- Z - Zoning Circulator
- J - Bronze Cartridge with Cast Iron Casing

Performance Data

- Flow Range: 0 – 10 GPM
- Head Range: 0 – 9 Feet
- Minimum Fluid Temperature: 40°F (4°C)
- Maximum Fluid Temperature: 220°F (104°C)
- Maximum Working Pressure: 125 psi
- Connection Sizes: 3/4", 1", 1-1/4", 1-1/2" CI Flanged or 1/2" Swt, 3/4" Swt, 3/4" NPT, or Union



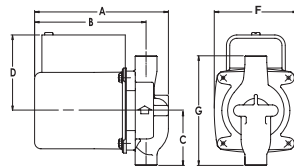
FOR INDOOR USE ONLY

Application

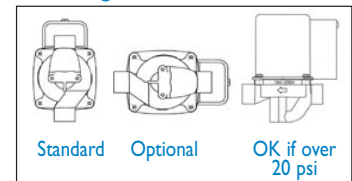
The Taco 006 is designed for circulating hot or chilled fresh water in open or closed loop applications. Typical uses include hydronic heating, domestic hot water recirculation, hydro-air heating/cooling, heat recovery units, water source heat pumps, drain down open loop Solar systems and potable water applications. The unique, replaceable cartridge contains all of the moving parts and allows for easy service instead of replacing the entire circulator. The compact, low power consumption design is ideal for high efficiency jobs.

Pump Dimensions & Weights

| Model | Conn. | A | | B | | C | | D | | F | | G | | Ship Wt. | |
|-----------|----------|--------|-----|---------|-----|---------|----|--------|----|--------|----|---------|-----|----------|-----|
| | | in. | mm | in. | mm | in. | mm | in. | mm | in. | mm | in. | mm | lbs. | Kg |
| 006-B4 | 3/4" Swt | 5-1/8 | 130 | 4-1/8 | 105 | 2-3/16 | 56 | 3-1/16 | 78 | 3-5/16 | 84 | 4-13/32 | 112 | 6.0 | 2.7 |
| 006-BC4 | 1/2" Swt | 5-1/8 | 130 | 4-1/8 | 105 | 2-1/8 | 54 | 3-1/16 | 78 | 3-5/16 | 84 | 4-1/4 | 108 | 6.0 | 2.7 |
| 006-BT4 | 3/4" NPT | 5-5/8 | 143 | 4-7/8 | 124 | 2 | 51 | 3-1/16 | 78 | 3-5/16 | 84 | 4 | 102 | 6.0 | 2.7 |
| 006-BC4-I | Union | 5-5/32 | 131 | 4-11/32 | 110 | 2-31/32 | 76 | 3-1/16 | 78 | 3-5/16 | 84 | 5-15/16 | 151 | 6.0 | 2.7 |



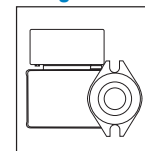
Mounting Positions



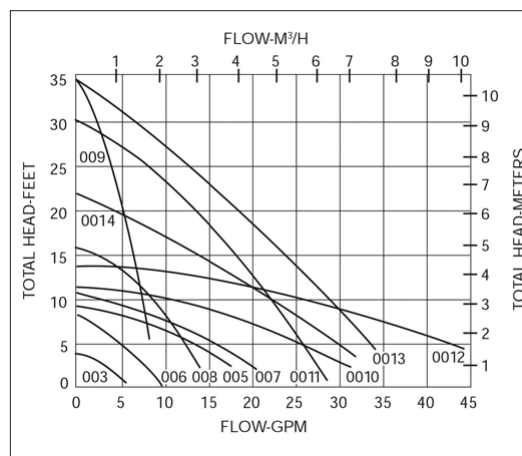
Electrical Data

| Model | Volts | Hz | Ph | Amps | RPM | HP |
|----------------|---|----|----|------|------|------|
| 006 All Models | 115 | 60 | 1 | .52 | 3250 | 1/40 |
| Motor Type | Permanent Split Capacitor Impedance Protected | | | | | |
| Motor Options | 220/50/1, 220/60/1, 230/60/1, 100/110/50/60/1 | | | | | |

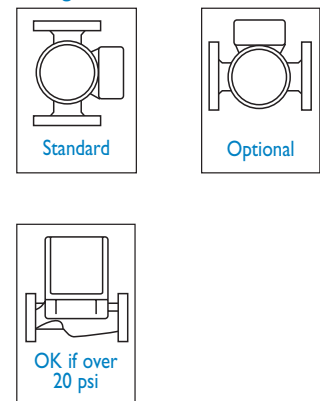
Flange Orientation



Performance Field - 60Hz



Flanged Models



Do it Once. Do it Right.®

TACO INC., 1160 Cranston Street, Cranston, RI 02920 Telephone: (401) 942-8000 Fax: 942-2360
 TACO (Canada), Ltd., 6180 Ordan Drive, Mississauga, Ontario L5T 2B3 Telephone: (905) 564-9422

Fax: (905) 564-9436

Printed in USA
 Copyright 2005
 TACO, Inc.

Visit our website at: www.taco-hvac.com