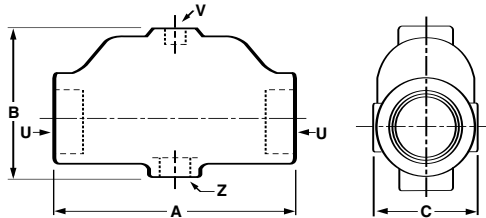




Air Elimination Equipment

1" to 3" Air Purgers (Non-ASME)

125 PSIG Working Pressure



Dimensions/Specifications for 443-448

Model Number	Size Ins.	"A" Dimension		"B" Dimension		"C" Dimension		"U" Tappings (NPT) Ins.	"V" Tappings (NPT) Ins.	"Z" Tappings (NPT) Ins.	Ship. Wt.	
		Ins.	mm	Ins.	mm	Ins.	mm				Lbs.	kg.
443	1	6	152	4	102	2½	64	1	⅛	½	4	1.8
444	1¼	6	152	4	102	2½	64	1¼	⅛	½	5	2.3
445	1½	8	203	5	127	3½	89	1½	⅛	½	9	4.0
446	2	8	203	5	127	3½	89	2	½	½	10	4.5
447	2½	10	254	6	152	5	127	2½	¾	½	19	8.6
448	3	10	254	6	152	5	127	3	¾	½	20	9.0

Specifications

Description	Standard Construction
Working Pressure	125 PSIG (8.8 bar)
Materials of Construction	Cast Iron

All dimensions and weights are approximate.

Job Name _____

Contractor _____

Location _____

Contractor P.O. No. _____

Sales Representative _____

Model No. Ordered _____

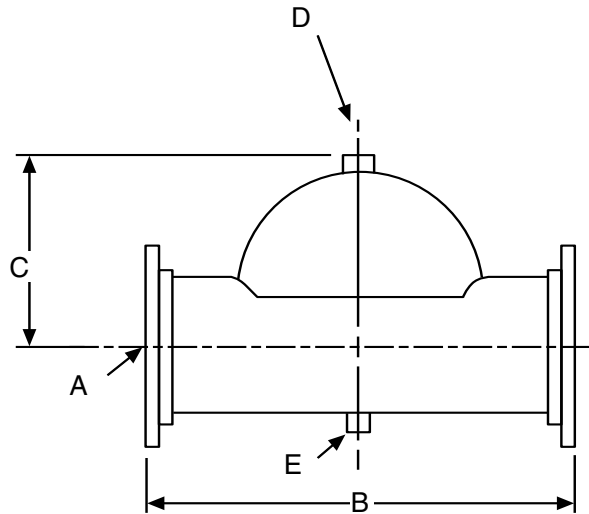
Engineer _____



Air Elimination Equipment

4" to 18" Air Purgers (Non-ASME)

125 PSIG Working Pressure



Dimensions/Specifications

Model Number	"A" Dimension*		"B" Dimension		"C" Dimension		"D" Dimension (Vent Tapping) (NPT) Ins.	"E" Dimension (Drain Tapping) (NPT) Ins.	Weight	
	Ins.	mm	Ins.	mm	Ins.	mm			Lbs.	kg
449	4	102	12	305	5	127	3/4	1/2	56	25
461	5	127	20	508	7 1/2	191	1 1/4	1 1/2	60	27
462	6	152	24	610	8 1/2	216	1 1/4	1 1/2	65	29
463	8	203	32	813	11 1/4	286	1 1/4	1 1/2	113	51
464	10	254	40	1016	14	356	1 1/4	1 1/2	174	79
465	12	305	48	1219	16 3/4	425	1 1/4	1 1/2	330	150
466	14	356	56	1422	19 3/8	492	1 1/4	1 1/2	500	227
467	16	406	48	1219	20	508	1 1/4	1 1/2	331	150
468	18	457	72	1829	23 1/2	597	1 1/4	1 1/2	573	260

*150 Lb. ASA Flanges

Maximum Operating Conditions

Description	Standard Construction
449	125 PSIG (8.8 bar)
461-468	150 PSIG (10.5 bar)

NOTE: Models 467 & 468 have Butt Weld Ends.

Materials of Construction

Description	Standard Construction
No. 449	Cast Iron
No. 461-468	Steel

All dimensions and weights are approximate.

Job Name _____

Contractor _____

Location _____

Contractor P.O. No. _____

Sales Representative _____

Model No. Ordered _____

Engineer _____